

## OIL-Less Diaphragm **VACUUM Pumps**

### ■ Features ;

- ◆ Oil-less operation & permanently lubricated bearings
- ◆ Equipped with thermal protector
- ◆ Whole parts are made by **AL Die Casting (not plastic)**
- ◆ Completely oil-free & Light weight
- ◆ Low noise & vibration, **leak tight**
- ◆ Distinguished long life & easy to maintain
- ◆ **PTFE(Teflon) coating provided as Standard Specification**
- ◆ **Both AC & BLDC version available as Standard option**

### ■ Applications ;

- ◆ Developed for **Autoclave ( Type Class B )**  
**( EPDM Applied for Autoclave especially )**
- ◆ Medical, Dental & E.N.T. Equipments
- ◆ Semi Conductor processing , Chip mounter
- ◆ Packing machine, Food processing
- ◆ Environmental equipments
- ◆ Industrial equipments

### ■ Appearance



#### ■ Double Head Type

(Model : 35DND)

Serial Connection for Higher Vacuum (35DND-S)

Parallel Connection for more Flow Rate (35DND-P)

#### ■ Single Head Type

(Model : 35DNS)

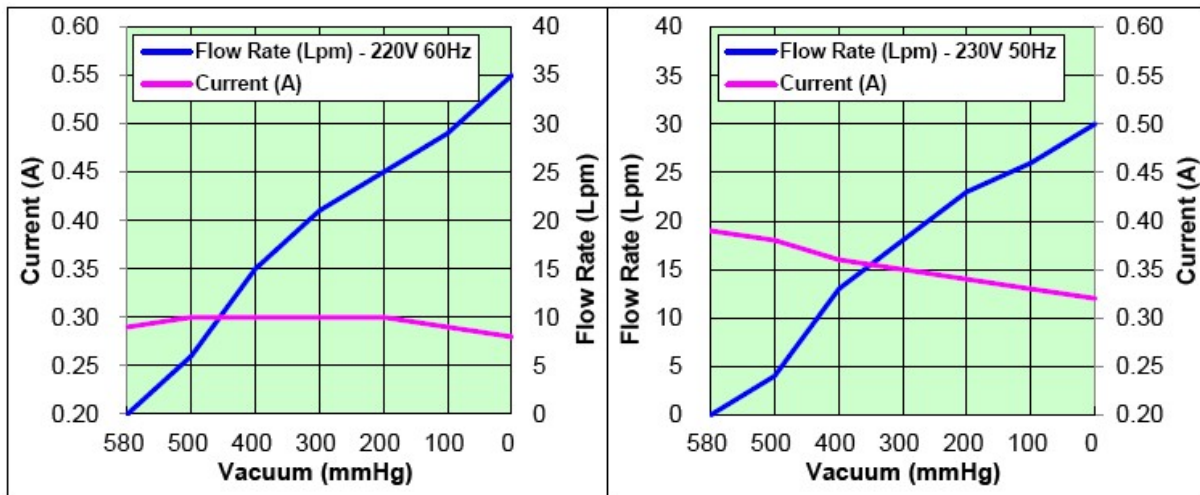
**BLDC version available**

## OIL-Less Diaphragm VACUUM Pumps

### ■ SPECIFICATIONS ( AC version )

MODEL	35DNS (Single Head)	35DND-P (Double Head)	35DND-S (Double Head)
		Parallel Connection	Serial Connection
Free Flow Rate	28Lpm(50Hz), 33Lpm (60Hz)	50Lpm (50Hz), 58Lpm (60Hz)	35Lpm (50Hz), 39Lpm (60Hz)
Max. Vacuum	580 mmHg	590 mmHg	690 mmHg
Max. Pressure	N.A.	N.A.	N.A.
Connecting Type	PT 1/4" ( R1/4" )		
Dimensions	104(W) x 148(H) x 170(L)mm	104(W) x 148(H) x 229(L)mm	
Weight	2.6 kg	3.7 kg	
Motor Type	4 pole, Capacitor Start Type, Equipped with Thermal Protector		
Power Consump.	58W (50HZ), 60W (60Hz)	80W (50HZ), 87W (60Hz)	
Rated Current	0.30A (230V, 50Hz) 0.30A(220V, 60Hz)	0.39A (230V, 50Hz) , 0.40(220V, 60Hz)	
Power Source	110~120 VAC (50/60 Hz), 220~230 VAC (50/60 Hz)		

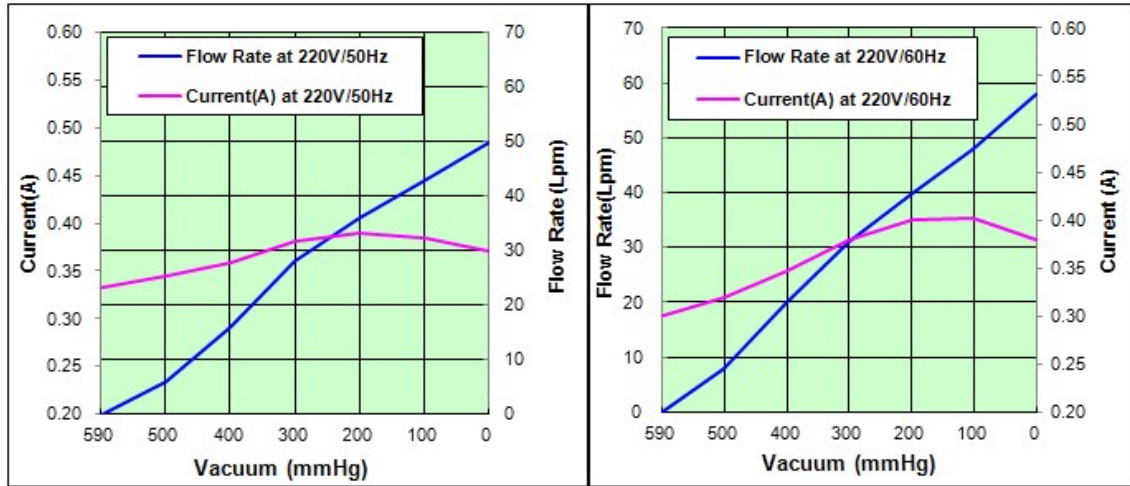
### ■ Performance Curves of 35DNS (Single Head , AC version )



## OIL-Less Diaphragm VACUUM Pumps

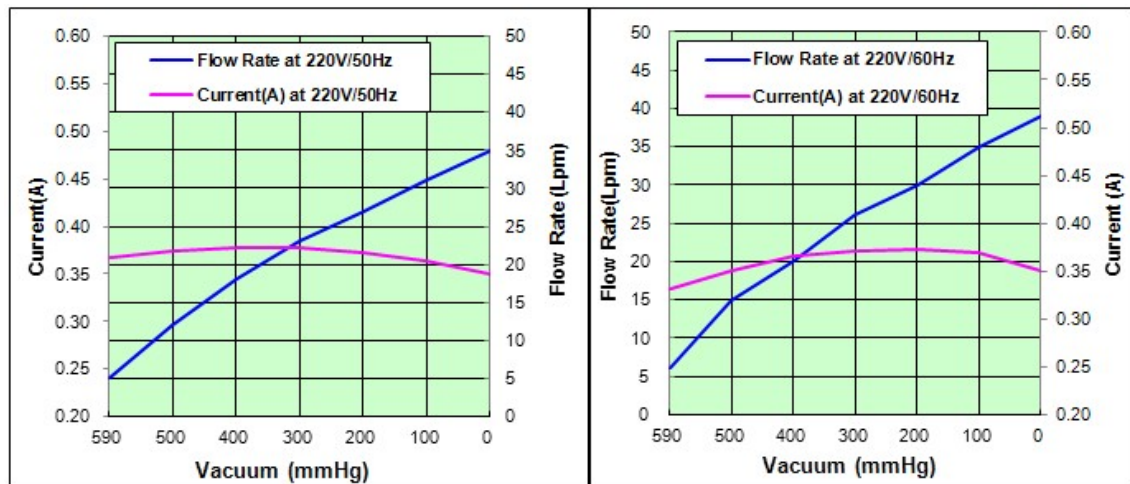
### ■ Performance Curves of 35DND (Double Head , AC version )

#### - 35DND-P ( Parallel Connection )



Performance Curve of 35DND in Parallel Connection  
( 35DND-P )

#### - 35DND-S ( Serial Connection )

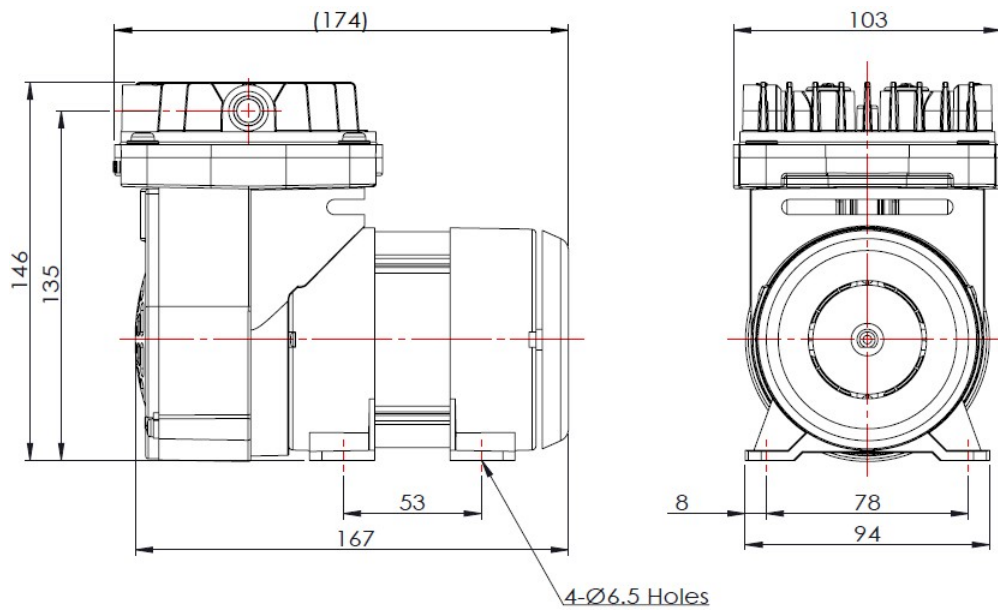


Performance Curve of 35DND in Serial Connection  
( 35DND-S )

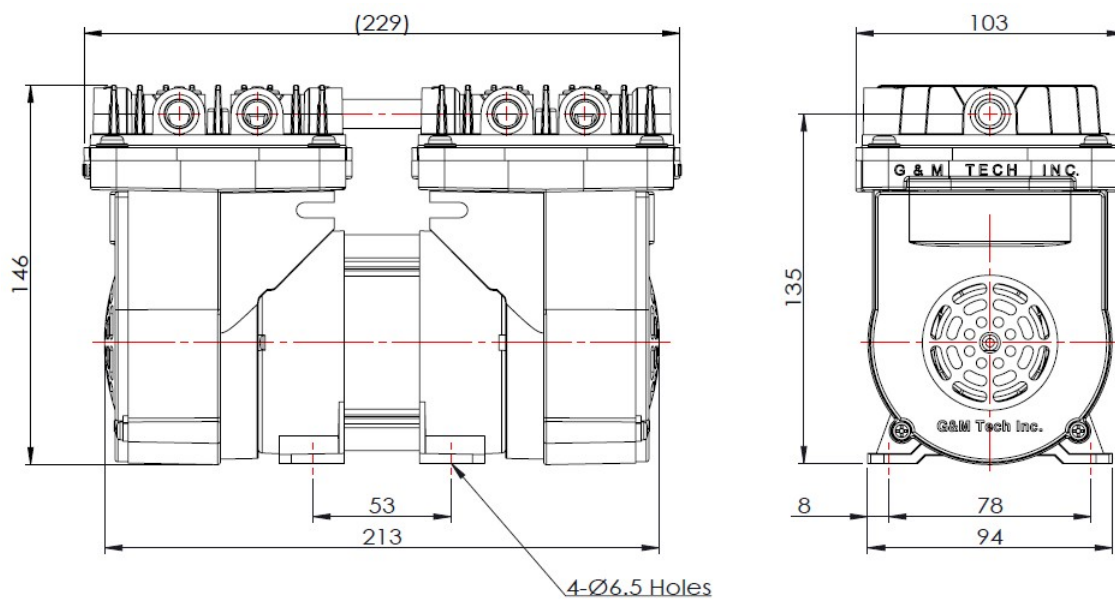
## OIL-Less Diaphragm VACUUM Pumps

### ■ Drawing ( AC version )

#### Model : 35DNS



#### Model : 35DND

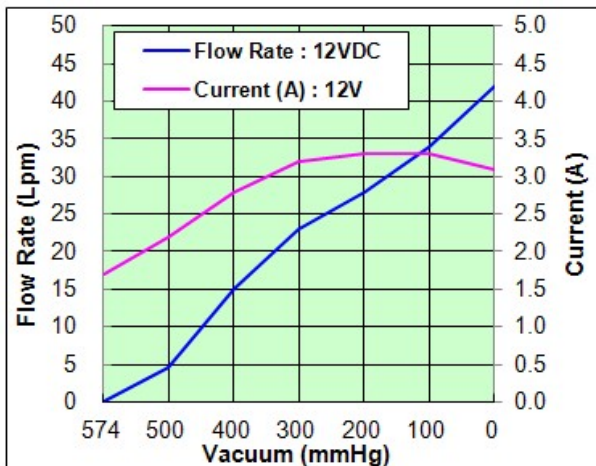


## OIL-Less Diaphragm VACUUM Pumps

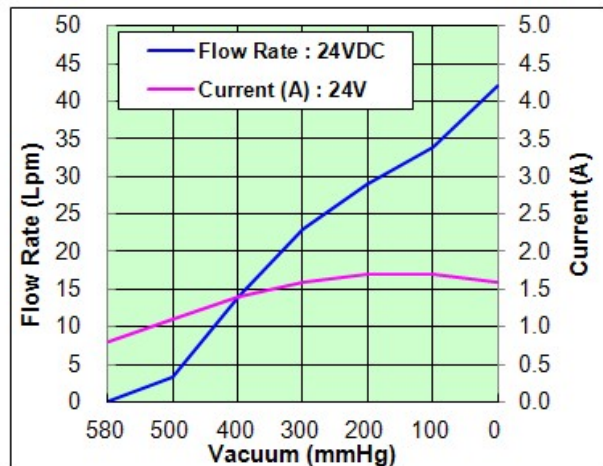
### ■ SPECIFICATIONS ( BLDC version )

MODEL	35DNS Series (Single Head type)	
	35DNS-BL1 (12VDC)	35DNS-BL2 (24VDC)
Free Flow Rate	42 Lpm	42 Lpm
Max. Vacuum	580 mmHg	580 mmHg
Max. Pressure	N.A.	
Connecting Type	PT 1/4" ( R1/4" )	
Dimensions	104(W) x 148(H) x 148 (L)mm	
Weight	1.8 Kg	
Motor Type	BLDC (Brush-less DC) Motor, Internal Driver Type	
Power Consump.	40 W	40 W
Rated Current	3.3 A	1.7 A
Power Source	12VDC	24VDC

### ■ Performance Curves of 35DNS (Single Head , BLDC version)



12VDC version



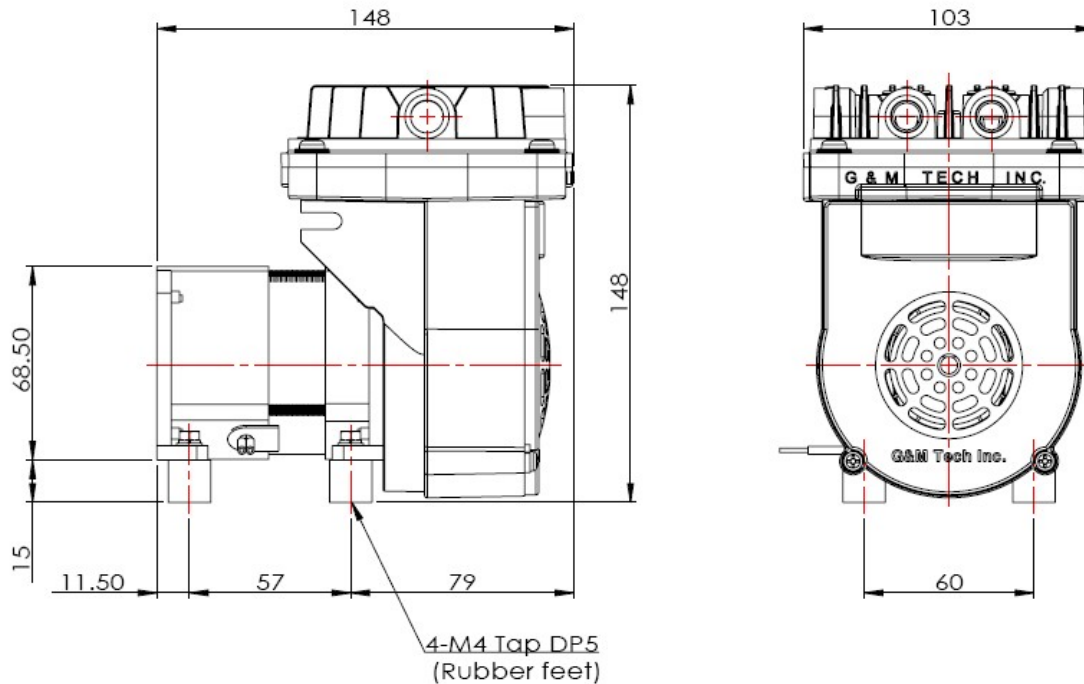
24VDC version



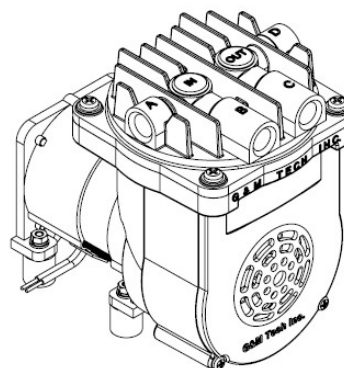
## OIL-Less Diaphragm VACUUM Pumps

### ■ Drawing ( BLDC version )

Model : 35DNS-BL1 & 35DNS-BL2



### ■ Appearance ( BLDC version )



**G & M Tech Inc.**  
**(주)지엔엠텍**

TEL : +82-31-459-8221, FAX : +82-31-459-8611

Home Page : <http://gnmtechinc.en.ec21.com>

E-MAIL : [info@gnmtechinc.com](mailto:info@gnmtechinc.com)

Rm #. 404, Daewoo FV 1 Cha, #1030, Jung-Dong,  
Giheung-Gu, Yongin-City, 446-916 Korea